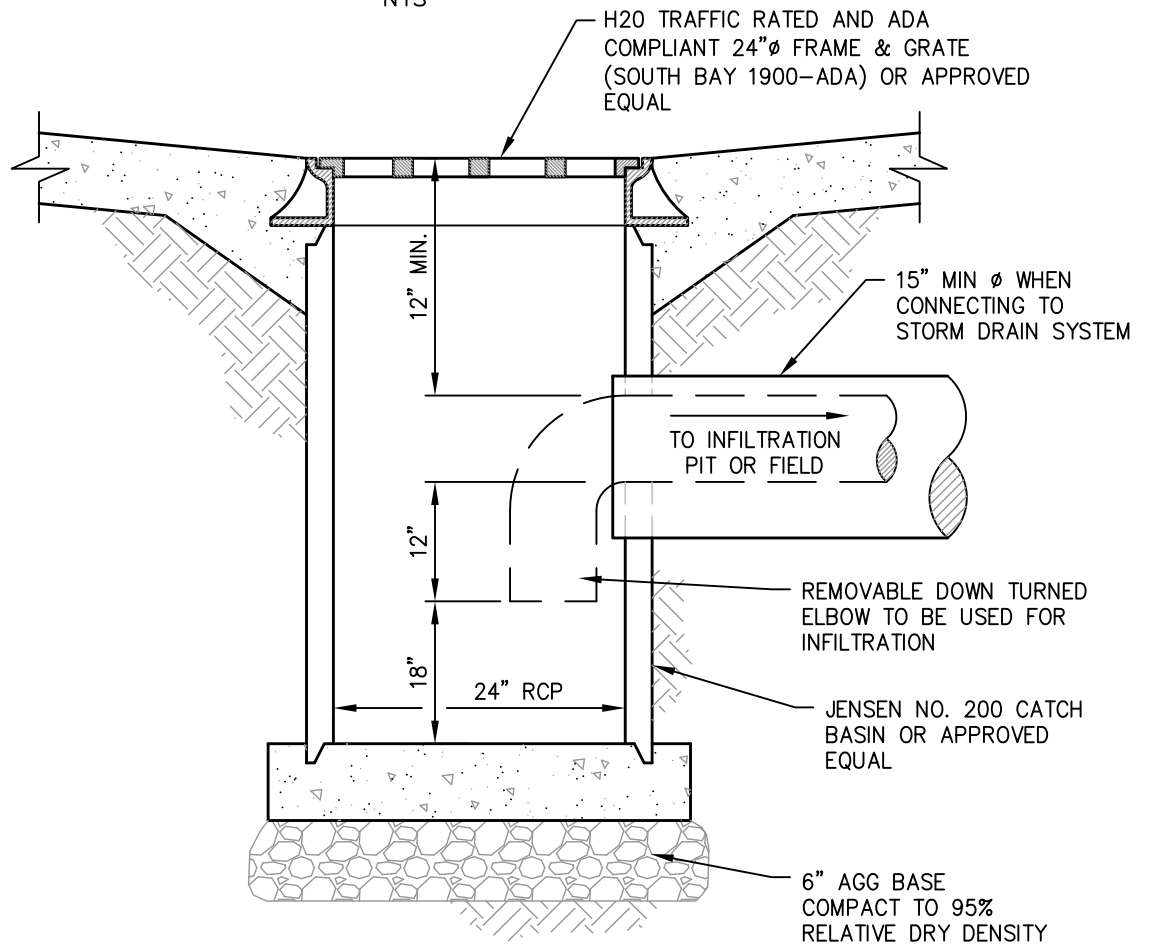


PLAN VIEW
NTS



SECTION A-A
NTS

NO.	REVISION	DATE	STANDARD DETAIL FOR PUBLIC WORKS CONSTRUCTION	SECTION
			CATCH BASIN TYPE 3	CARSON CITY
				DRAWING NO. C-4.1.2
				DATE 7/2009
APPROVED BY: 		7/09		