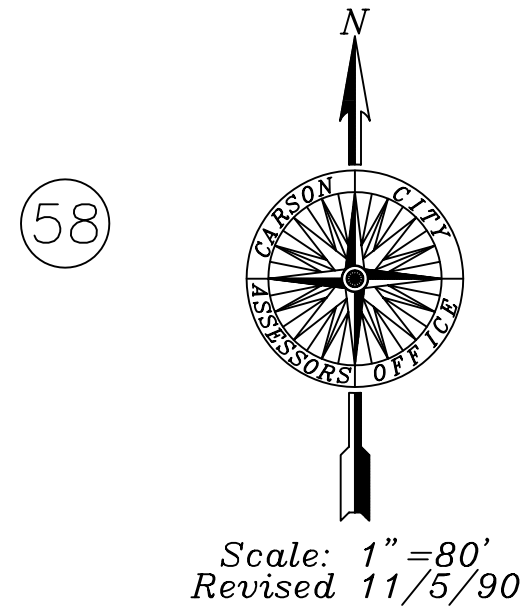


PORTION SE1/4 NE1/4 SEC. 29
T.15 N., R.20 E., M.D.B. & M.



CARSON CITY, NEVADA
THIS MAP IS PREPARED FOR THE USE OF THE CARSON CITY
ASSESSOR FOR ASSESSMENT AND ILLUSTRATIVE PURPOSES
ONLY. IT DOES NOT REPRESENT A SURVEY. NO LIABILITY
IS ASSUMED AS TO THE SUFFICIENCY OR ACCURACY OF
THE DATA DELINEATED HEREON.

SKY RANCH
SUBDIVISION
UNIT NO. 10
RECORDED 4/21/78