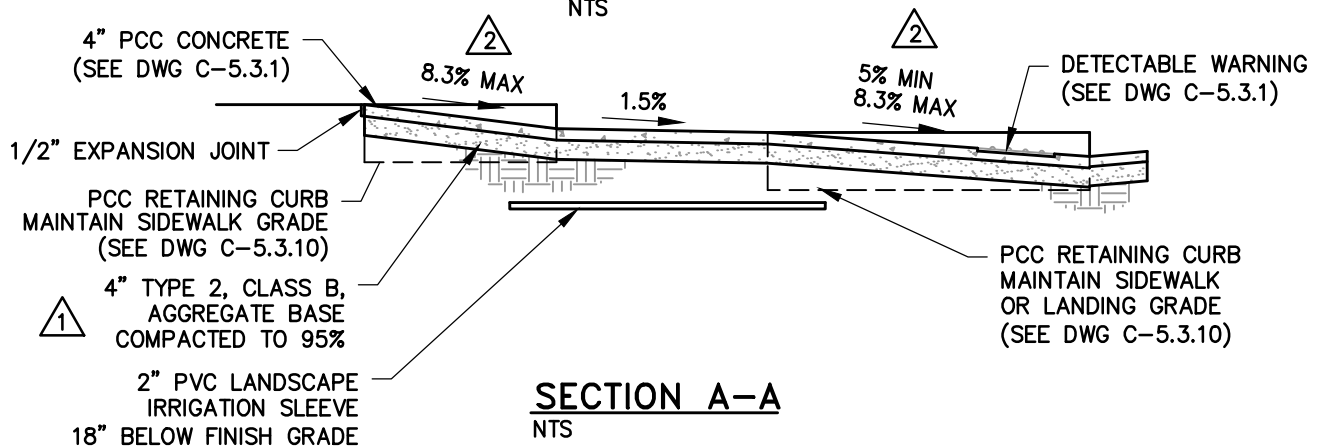


**PLAN**  
NTS



**SECTION A-A**  
NTS

**NOTES:**

1. RETAINING CURBS ARE TO BE USED IN ALL CASES AND FINISH GRADE AT BACK OF SIDEWALK IS TO BE RAISED TO TOP OF RETAINING CURB ELEVATION.
2. SEE "CURB RAMP GENERAL NOTES" DWG C-5.3.1 FOR FURTHER REQUIREMENTS.

NO.	REVISION	DATE	STANDARD DETAIL FOR PUBLIC WORKS CONSTRUCTION	SECTION
1	4" AGG BASE	7/14	<b>LINEAR CURB RAMP OFFSET</b>	CARSON CITY
2	SLOPES	9/17		DRAWING NO. C-5.3.7
				DATE SEP 2017
APPROVED BY:		9/17		