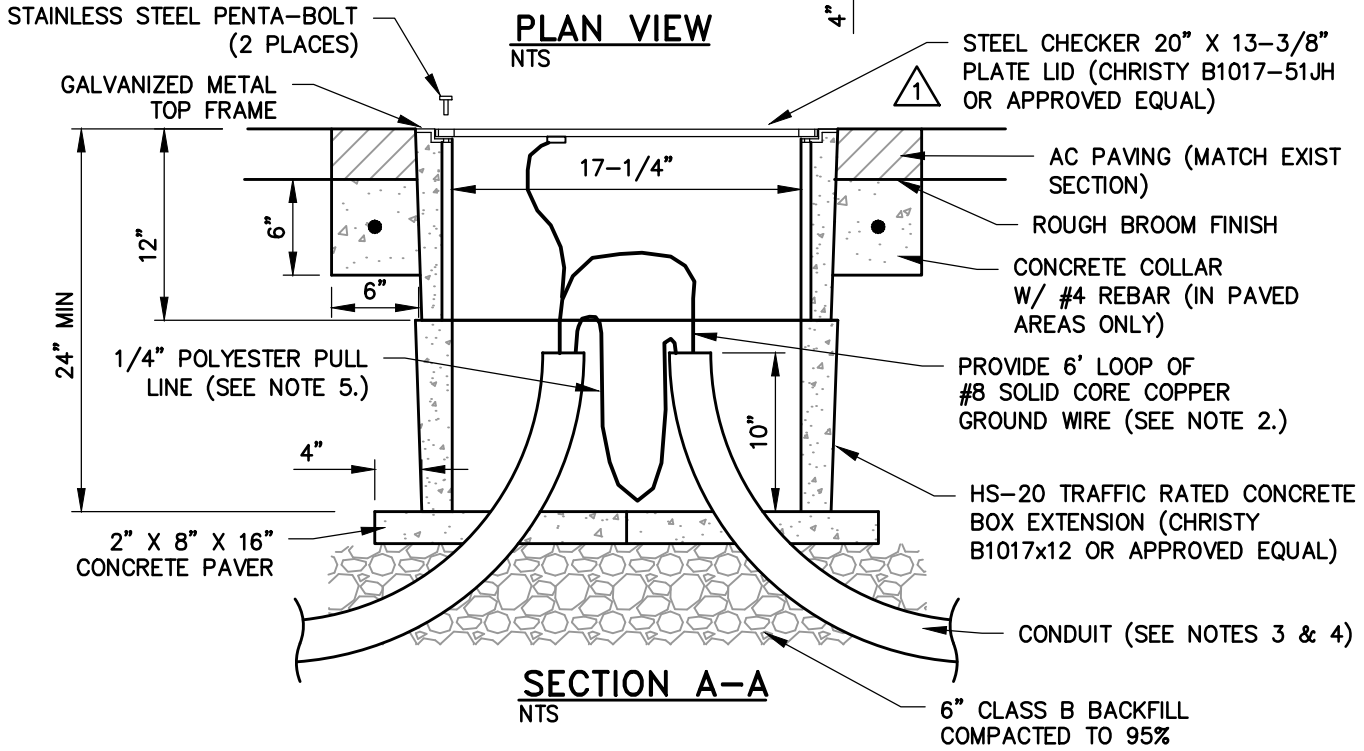


PLAN VIEW
NTS



SECTION A-A
NTS

NOTES:

1. PULL BOXES AND COVERS SHALL MEET HS-20 TRAFFIC LOADING RATING.
2. COVERS SHALL BE CADWELD BONDED TO GROUND WITH A STRANDED 6 AWG WIRE.
3. CONDUIT SHALL BE SCHEDULE 80 AND CONDUIT ENTERING A PULLBOX SHALL BE TERMINATED WITH A SWEEP AND CAPPED WITH AN END BELL.
4. CONDUITS TO USE 3 FEET RADIUS SWEEPS UNLESS OTHERWISE NOTED. SWEEPS ARE NOT TO BE CUT.
5. CONDUITS SHALL HAVE 1/4" POLYESTER PULL LINE WITH SEQUENTIAL FOOTAGE MARKINGS AND A MINIMUM BREAKING STRENGTH OF 400 POUND PULL LINE SHALL EXTEND A MINIMUM OF 3 FEET FROM EACH HANDHOLE.
6. NO. 5 PULL BOXES SHALL BE USED WHERE CONDUIT RUNS CONTAIN TRAFFIC SIGNAL UNLESS OTHERWISE APPROVED BY THE CARSON CITY ENGINEER OR PUBLIC WORKS DIRECTOR. CABLE. NO. 3-1/2 PULL BOXES MAY BE USED AT ALL OTHER LOCATIONS.
7. A 6 INCH CLEARANCE SHALL BE MAINTAINED FROM THE PULLBOX LIDS AND THE CONDUCTORS COILED IN THE PULL BOXES.
8. ALL PULL BOXES SHALL HAVE NON-SKID PATTERN EMBOSSED STEEL COVERS AND BE SLIP RESISTANT.



NO.	REVISION	DATE	STANDARD DETAIL FOR PUBLIC WORKS CONSTRUCTION	SECTION
1	DET NUMBER		TRAFFIC SIGNAL PULL BOX & LID	CARSON CITY
	NOTE 8	3/22		DRAWING NO.
				C-5.6.1
				DATE
APPROVED BY:		3/22		MAR 2022