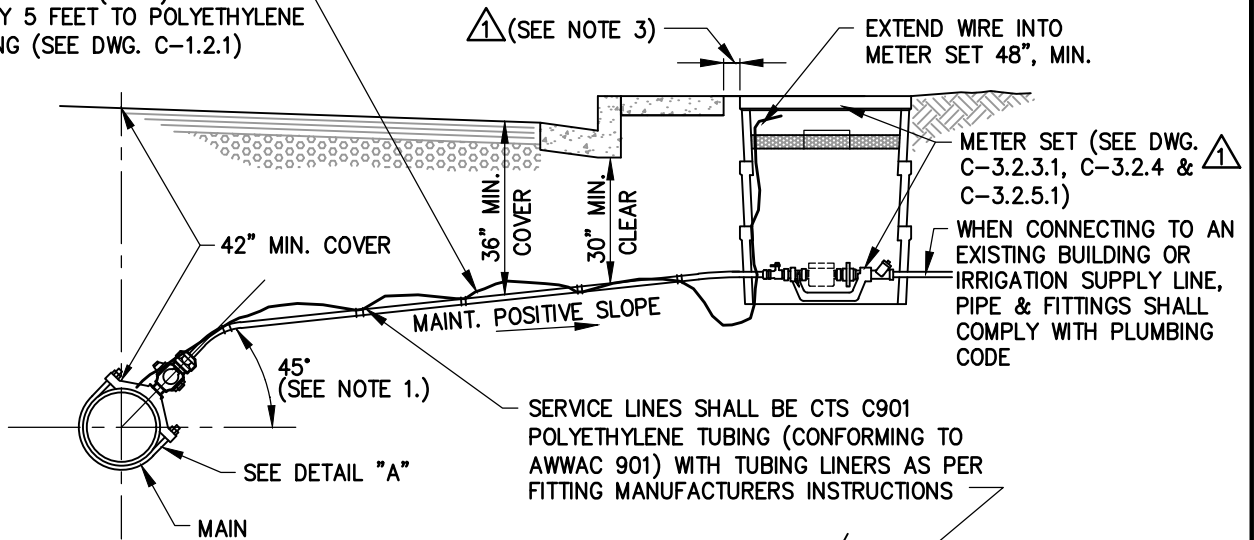


TRACER WIRE (BLUE) TAPED EVERY 5 FEET TO POLYETHYLENE TUBING (SEE DWG. C-1.2.1)

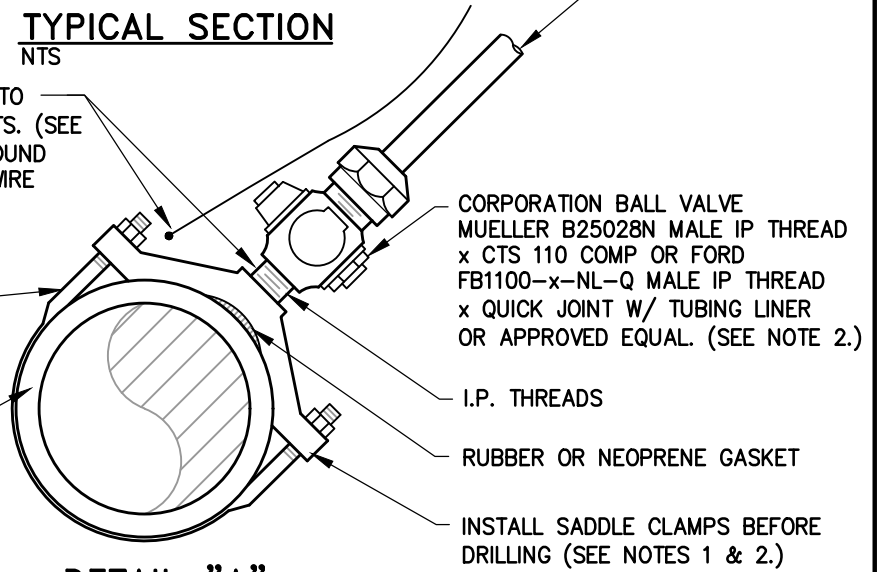


TYPICAL SECTION
NTS

CONNECT BLUE TRACER WIRE TO MAIN WIRE IF MAIN WIRE EXISTS. (SEE DWG. C-1.2.1) LOOP WIRE AROUND CORP. THREADS IF NO MAIN WIRE EXISTS

FACTORY COATED SADDLE WITH STAINLESS STEEL STRAP (SEE NOTES 1, 2 & DWG. C-3.2.2)

CITY MAIN



DETAIL "A"
NTS

NOTES:

1. MINIMUM DISTANCE BETWEEN TAPS AND MAINLINE FITTINGS, INCLUDING BELLS MUST BE 18 INCHES. TAPPING SADDLE MUST BE AT 45 DEGREE ANGLE, EXCEPTIONS MUST BE APPROVED BY CARSON CITY WATER UTILITY.
2. CORPORATION VALVES AND SERVICE SADDLES MUST CONFORM TO AWWA C800, NSF61, NSF 372 AND BE NO LESS THAN THE SERVICE LINE SIZE. WHEN REPLACING AN EXISTING SERVICE LINE AND A SIZE LARGER THAN SHOWN IS ENCOUNTERED, THE LARGER SIZE LINE, FITTINGS AND SADDLE SHALL BE INSTALLED UNLESS APPROVED BY CARSON CITY WATER UTILITY.
3. METER SET BOX SHALL BE PLACED 24 INCHES FROM BACK OF SIDEWALK, OR AS DIRECTED BY CARSON CITY WATER UTILITY. IN AREAS WHERE NO CURB OR SIDEWALK IS PRESENT, METER SET SHALL BE PLACED WITHIN THE RIGHT-OF-WAY AS SHOWN ON THE APPROVED PLANS. PROVIDE 24 INCHES CLEAR IN ALL DIRECTIONS TO ANY OTHER HARDSCAPE INCLUDING CONCRETE, ASPHALT, LANDSCAPING OR UTILITY BOXES.
4. DISCONTINUANCE OF USE OF A SERVICE REQUIRES ABANDONMENT OF THE SERVICE. NOTIFY CARSON CITY PUBLIC WORKS FOR METER REMOVAL PRIOR TO PROCEEDING WITH ABANDONMENT. REMOVE EXISTING METER BOX AND EXPOSE CORP STOP. TURN-OFF AND CAP EXISTING CORP STOP AT MAIN. ALL PIPING OR TUBING SHALL BE DISCONNECTED FROM CORP STOP AND PLUGGED AT BOTH ENDS. CARSON CITY PUBLIC WORKS SHALL BE NOTIFIED FOR INSPECTION OF CORP STOP ASSEMBLY PRIOR TO BACKFILLING.

NO.	REVISION	DATE	STANDARD DETAIL FOR PUBLIC WORKS CONSTRUCTION	SECTION
1	METER SET	7/21	1" TO 2" WATER SERVICE	CARSON CITY
2	NOTES 3 & 4	3/22		DRAWING NO. C-3.2.1 (203)
				DATE MAR 2022
APPROVED BY:		3/22		