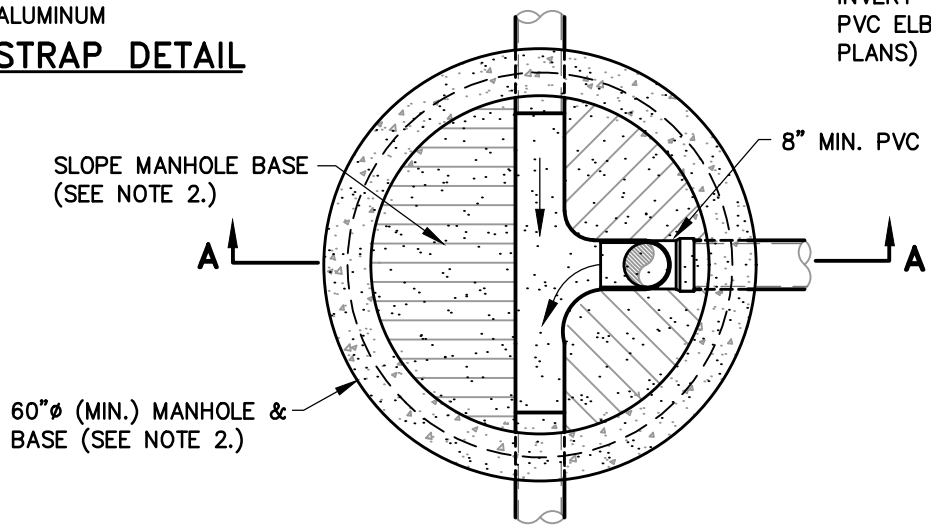


SECTION A-A
NTS



NOTES:

1. USE OF A DROP MANHOLE REQUIRES APPROVAL FROM CARSON CITY ENGINEER OR PUBLIC WORKS DIRECTOR.
2. SEE DWGS. C-2.1.2 AND C-2.1.3 FOR ADDITIONAL NOTES, DIMENSIONS AND DETAILS.
3. PROVIDE ADEQUATE PIPE LENGTH TO ALLOW FOR REMOVAL OF MODIFIED CROSS.

NO.	REVISION	DATE	STANDARD DETAIL FOR PUBLIC WORKS CONSTRUCTION	SECTION
1	REMOVE		DROP MANHOLE	CARSON CITY
	TRACER WIRE	3/22		DRAWING NO.
				C-2.1.4 (203,204,306)
				DATE
APPROVED BY:		3/22		MAR 2022